

Spray Device Division

- Custom Target Drilled Spray Devices Designed Specifically for Your Tank

- 3D CAD Spray Pattern Model Generated from 2D Tank Drawing or 3D STEP File

- BioPharm Level Documentation Available for Ease of Validation

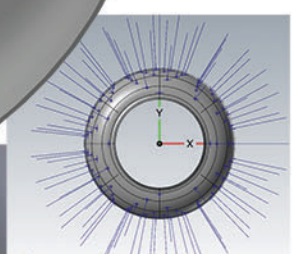
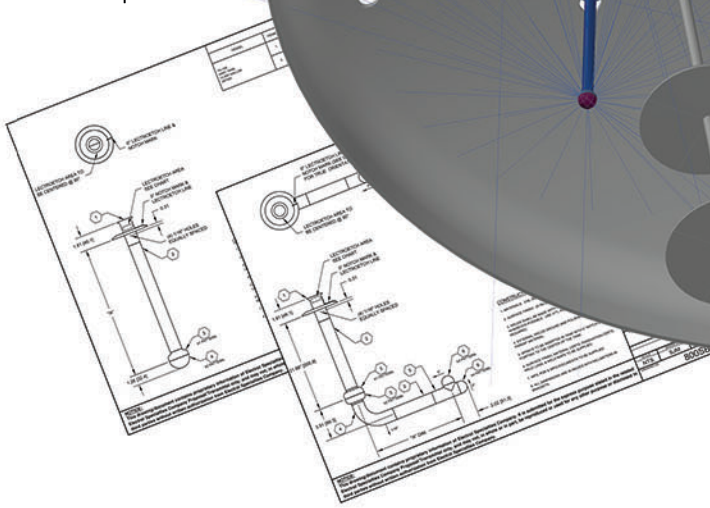
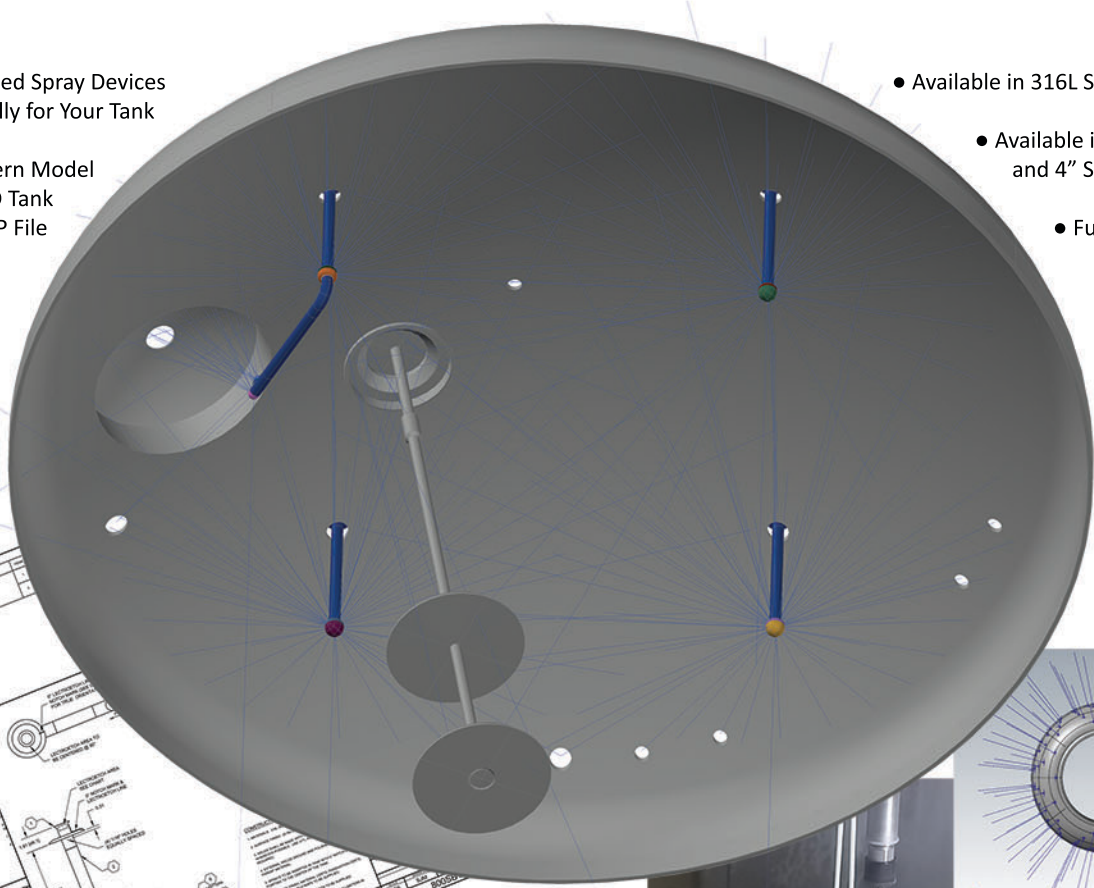
- CNC-drilled Spray Patterns for Exact Replacements and Spares

- Available in 316L SS or Hastelloy C-22

- Available in 1.25", 1.75", 2.5" and 4" Sprayball Diameters

- Full Range of Surface Finishes Available (Mechanical & EP)

- For Horizontal and Vertical Storage Tanks, Hoppers, Ducts, Chutes, Dryers, Conveyors, etc.



- ESC Spray Engineers Evaluate Each Tank Design in 3D
- Spray Sources Positioned Precisely to Eliminate Coverage Shadows
- Cleaning Solution Sprayed Only Where Needed
- Saves Flow Compared to Off-the-Shelf Designs

- ESC Sprays are CNC Programmed and Drilled
- Gives Precise Control of Spray Patterns



- Custom Spray Designs Tailored to the Needs of Your Tank



- Filter Housing Spray Devices Available in Disc Distributor and Tube Spray Types
- Ask Us About Air Injection to Minimize Liquid Level in Housings During CIP



- Riboflavin Coverage Guarantee for Qualified Tanks (after tank assessed for cleanability)
- On-Site Riboflavin Coverage Testing Assistance Available Upon Request